

1 2 3 4 5 6 7 8

A

B

C

D

E

F

A

B

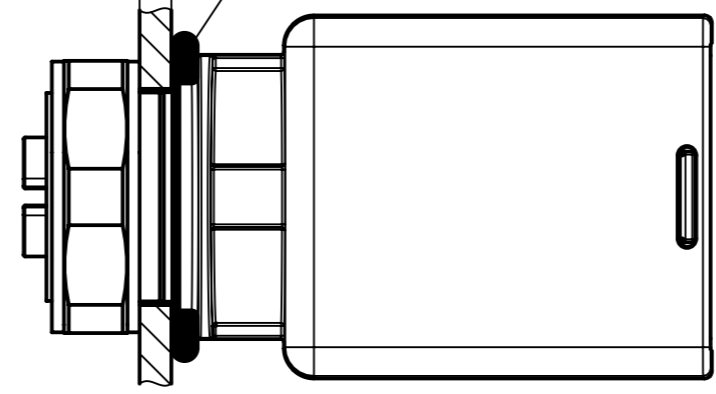
C

D

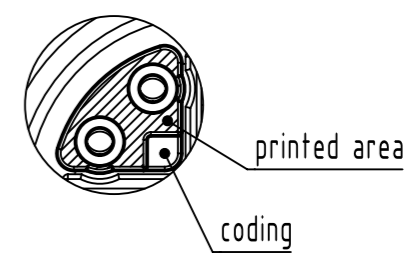
E

F

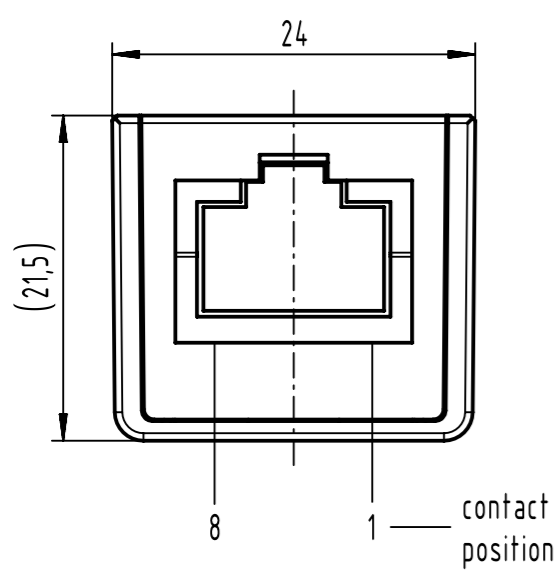
wall thickness 2,1-4,5
seal compressed



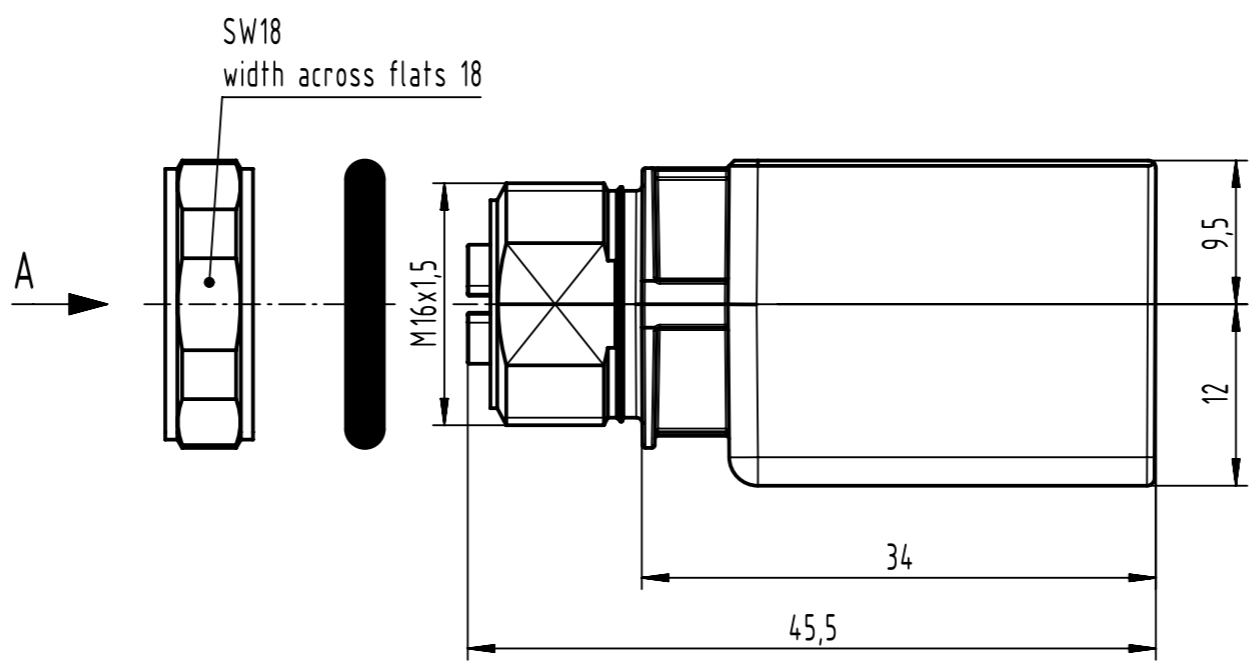
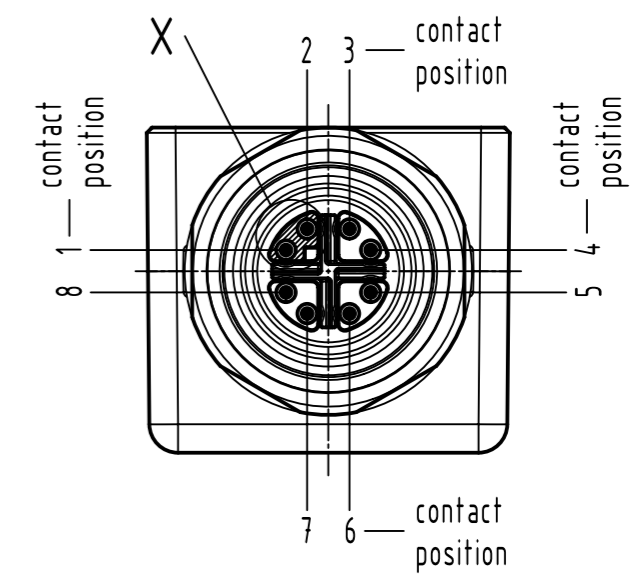
X (5:1)



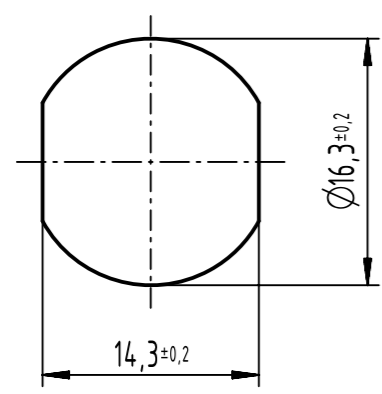
mating face acc. to IEC 60603-7



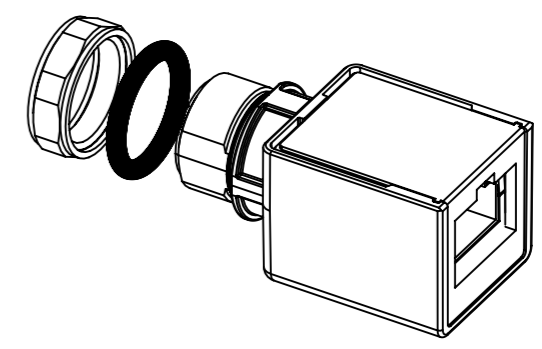
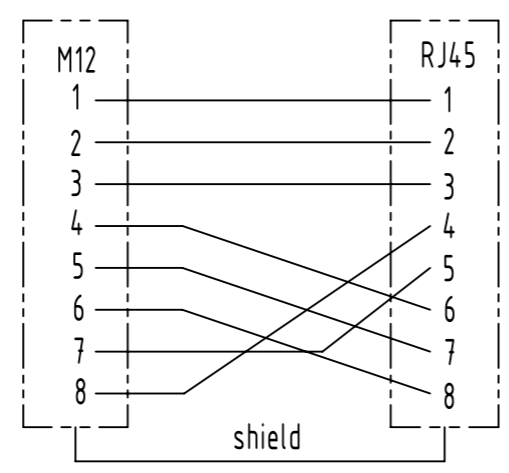
contact face acc. to IEC 61076-2-109



A
panel cut-out



circuit diagram



	All rights reserved Department EL PD	Created by BUSSMANN	Inspected by 104122	Standardisation	Date 2022-11-17	State Final Release	Ref. Sub.
	Title har-speed adapter M12-RJ45, straight Type TB Number 21033812800						Doc-Key / ECM-Nr. 100230266/UGD/007/L 500000230348
HARTING D-32339 Espelkamp						Rev. L Page 1/1	

1 2 3 4 5 6 7 8

A3